

American Broadband

Connect Your Cable-Modem

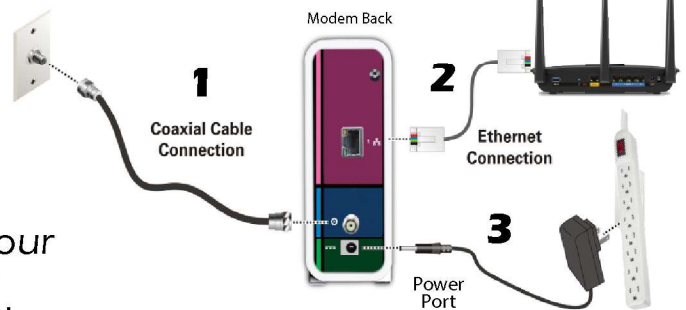
- What's In the Box:**
- Modem & Power Cord
 - Ethernet cable (yellow)
 - Coaxial cable (black)



Instructions:

1

Connect one end of the coaxial cable into an active cable outlet and the other end into your modem.



2

Connect the ethernet cable to your ethernet port on the back of your modem and the internet port on the back of your router.*

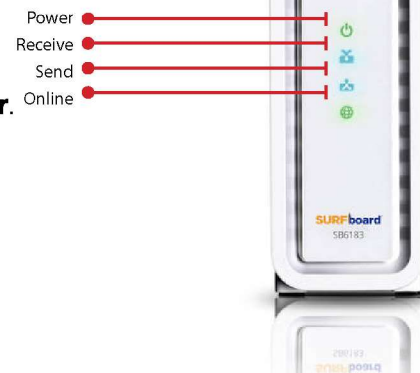
3

Connect the power cord into the power port on the back of your modem and the other end into a surge protector that is plugged into an electrical outlet. This automatically **powers ON** your cable modem.

- **Check that the Power, Receive, Send, and Online front panel LEDs on your modem light up in sequential order.**
- **All four lights** should transition to solid green or blue.

4

Power ON your router and log in.



* It is not recommended to connect directly to a PC or laptop other than for troubleshooting.

**If you have problems, questions or concerns
please contact us:**

American Broadband

**Your Solution
For SPEED**



1-888-262-2661

ABBNebraska.com